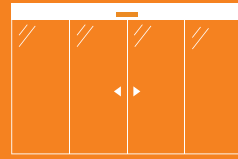


**TRELLINA**



# **1- AND 2-LEAF SLIDING DOORS**

TECHNICAL SHEET

## Application regulations

- ▶ Machinery Directive 2006/42/CE
- ▶ Low Voltage Directive 2006/95/CE
- ▶ Construction Products Regulation 305/2011/CE
- ▶ Electromagnetic Compatibility Directive 2004/108/CE
- ▶ Safety in use EN 16005
- ▶ Product Standard EN 16361

## Technical features

Single motor	110W
Double motor	220W
Standard power supply	220-240V - 50-60Hz
Operating temperature	from -15°C to 50°C
Rechargeable fail-safe batteries	1x26.4V@700 mAh
Standard operator dimensions	120x190 mm
Double telescopic operator dimensions	120x250 mm
Recommended maximum free height	2400 mm
Maximum clearance	800 mm / 5000 mm depending on the door type
Opening speed for each leaf side/central	from 0.4 m/s to 1 m/s - from 0.8 m/s to 2 m/s
Closing speed for each leaf side/central	from 0.15 m/s to 0.6 m/s - from 0.30 m/s to 1.2 m/s
Maximum acceleration	1.5 m/s

## Types of leaves

- ▶ 20 mm profile for 10 mm mortise glass
- ▶ 45 mm leaf with glazing bead
- ▶ All-glass leaf with clamp attachment

## Selectors

- ▶ Digital selector
- ▶ Key selector
- ▶ Wireless selector

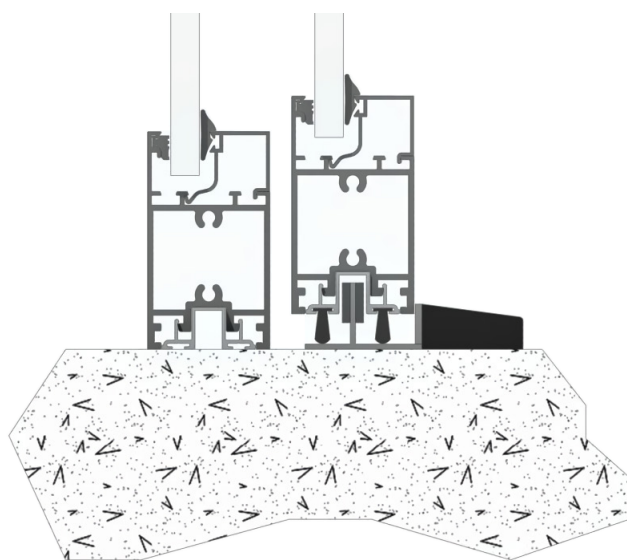
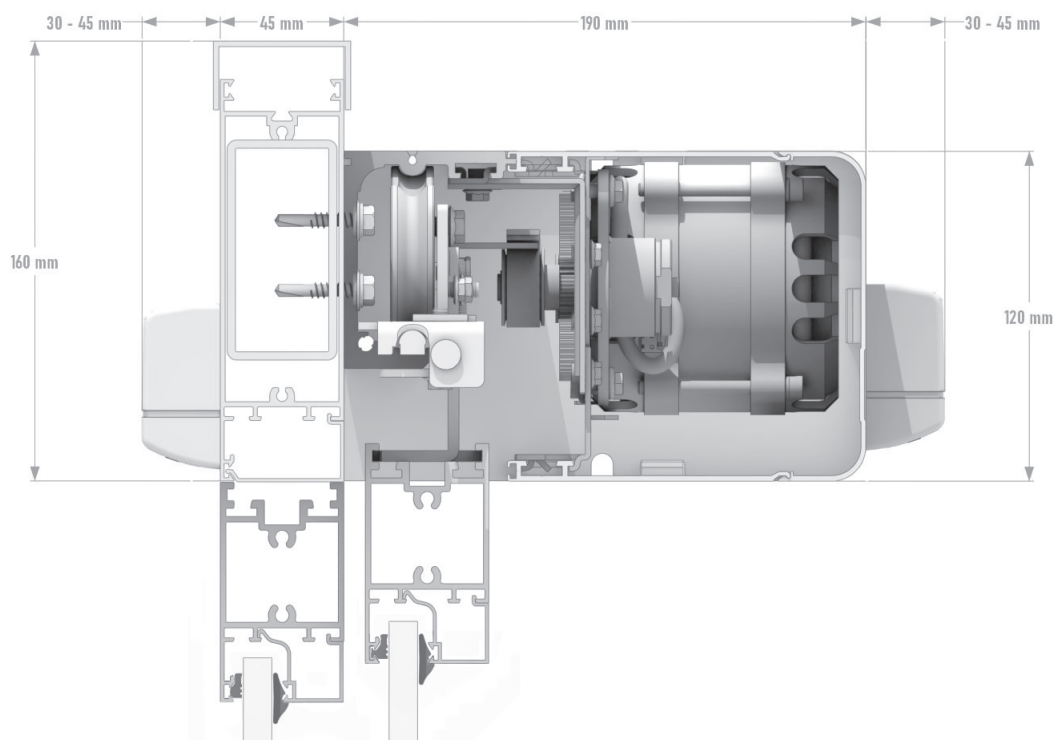
## Sensors

- ▶ Infrared sensor with large detection and safety area
- ▶ Infrared detection sensor for side screen safety
- ▶ Infrared and microwave detection sensor used for emergency exits

## Other accessories

- ▶ Contactless opening
- ▶ Badge opening
- ▶ Opening button
- ▶ External opening key
- ▶ Interlocking system
- ▶ Automatic lock

# SIDE AND CENTRAL SLIDING DOORS



Side



Central



## Maximum weight per leaf

	1 leaf - side sliding	2 leaves - central sliding
Single motor	90 kg	60 kg
Double motor	120 kg	90 kg

Let's keep in  
**TOUCH**

---

**trelinea.com**

